

MAE MANUFACTURERS cc

MANUFACTURERS OF THE MAE FLAMEPROOF ALTERNATOR AND ELECTRICAL FLAMEPROOF EQUIPMENT

REG NO: CK 95/47371/23 VAT NO: 447 011 0034

Tel: +27 (11) 421 5551

Fax: +27 (11) 421 5618

E-mail: orders@maesa.co.za / admin@maesa.co.za

MAE Flameproof LED Super Bright Rotating Beacon

Part No: MAEBLSM/2A/2G/2R



Product Features

- ❖ Flameproof/Non Flameproof.
- ❖ 12, 24, 110 or 220 Volts
- ❖ Polarity Protection
- ❖ Low Input
- ❖ Vibration Proof
- ❖ Long Lamp Life



Members: M. Lo Giudice; G. Lo Giudice;

MAE MANUFACTURERS cc

MANUFACTURERS OF THE MAE FLAMEPROOF ALTERNATOR AND ELECTRICAL FLAMEPROOF EQUIPMENT

REG NO: CK 95/47371/23 VAT NO: 447 011 0034

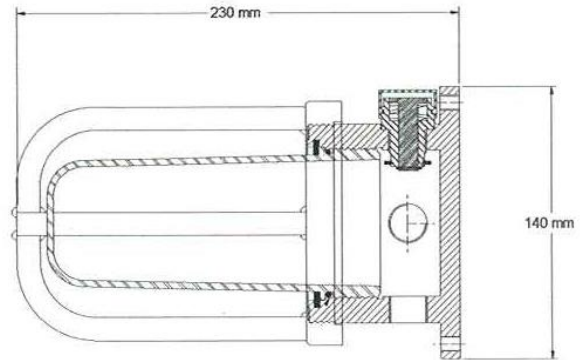
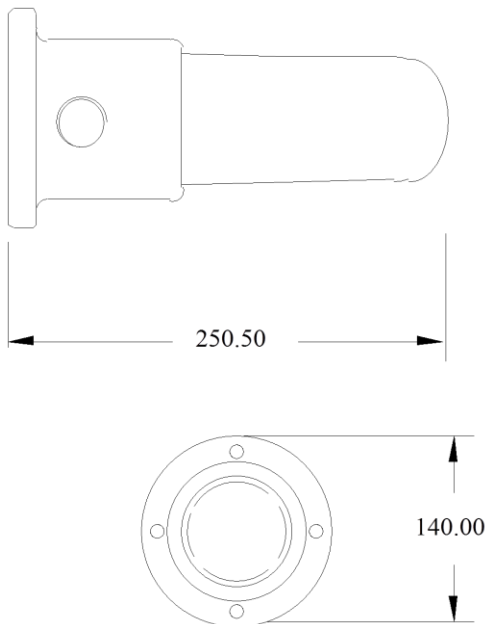
Tel: +27 (11) 421 5551

Fax: +27 (11) 421 5618









E-mail: orders@maesa.co.za / admin@maesa.co.za

Technical Specifications

Rated Power	5W
Input Voltage	12V or 24V
Certificate	SABS M/P569
Weight	7kg
Overall Length	230mm
Overall Diameter	147mm



Application

 SCOOP	<input checked="" type="checkbox"/>	 QUARRY VEHICLES	<input checked="" type="checkbox"/>	 LONG WALL SHIELD	<input checked="" type="checkbox"/>
 CONTINUOUS MINER	<input checked="" type="checkbox"/>	 SHUTTLE CAR	<input checked="" type="checkbox"/>	 HAULAGE	<input checked="" type="checkbox"/>
 DUMP TRUCK	<input checked="" type="checkbox"/>	 DRILLS	<input checked="" type="checkbox"/>	OTHER APPLICATIONS	<input checked="" type="checkbox"/>



MAE MANUFACTURERS cc

MANUFACTURERS OF THE MAE FLAMEPROOF ALTERNATOR AND ELECTRICAL FLAMEPROOF EQUIPMENT

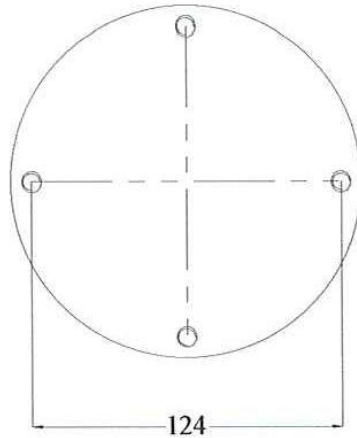
REG NO: CK 95/47371/23 VAT NO: 447 011 0034

Tel: +27 (11) 421 5551

Fax: +27 (11) 421 5618

E-mail: orders@maesa.co.za / admin@maesa.co.za

Mounting



Disclaimer

The information in this specification is derived from the latest model available at the time of issue 1.0. While every precaution has been taken to ensure the accuracy of the content, no responsibility can be accepted for any errors or omissions nor any misinterpretation or misapplication. MAE has adopted a continuous product improvement policy and therefore, specifications are subject to change without prior notice © October 2014 MAE all rights reserved.



FLAMEPROOF ROTATING BEACON

PART NO. : MAEBLSM

MODEL LPB-FP

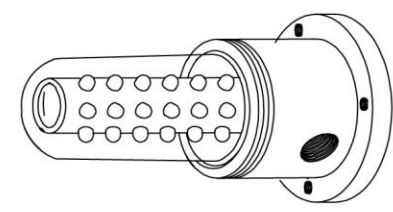
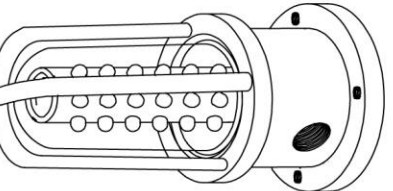
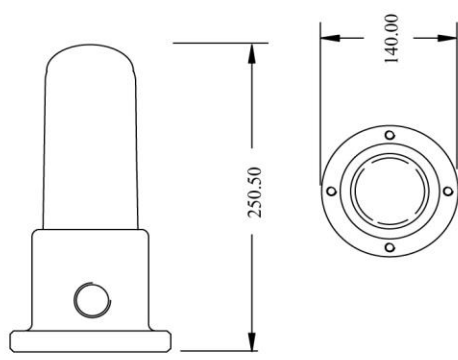
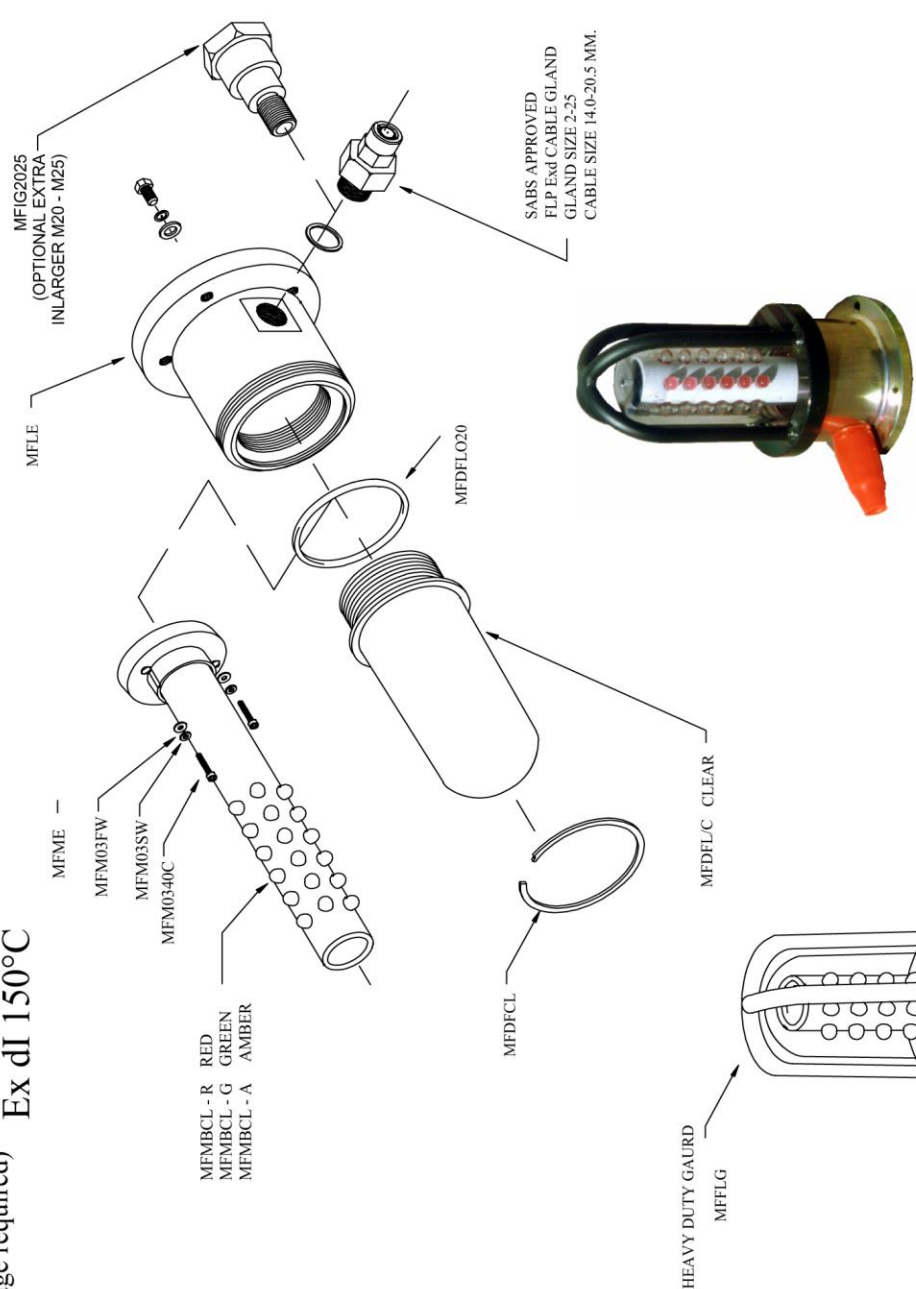
IA NO. SABS M/P 569

Ex dI 150°C

ELECTRICAL

Bulb Voltage : 12 volts to 220 volts (Specify voltage required)

Bulb Wattage : 0.5 watts Fl.



MAE MANUFACTURERS

P.O. BOX 402 BENONI 1500 SOUTH AFRICA
 TEL: 011 421-5551 FAX: 011 421-5618

—
 Servicing Mining Around the World